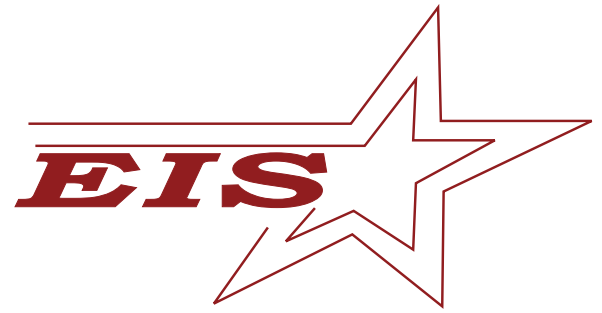
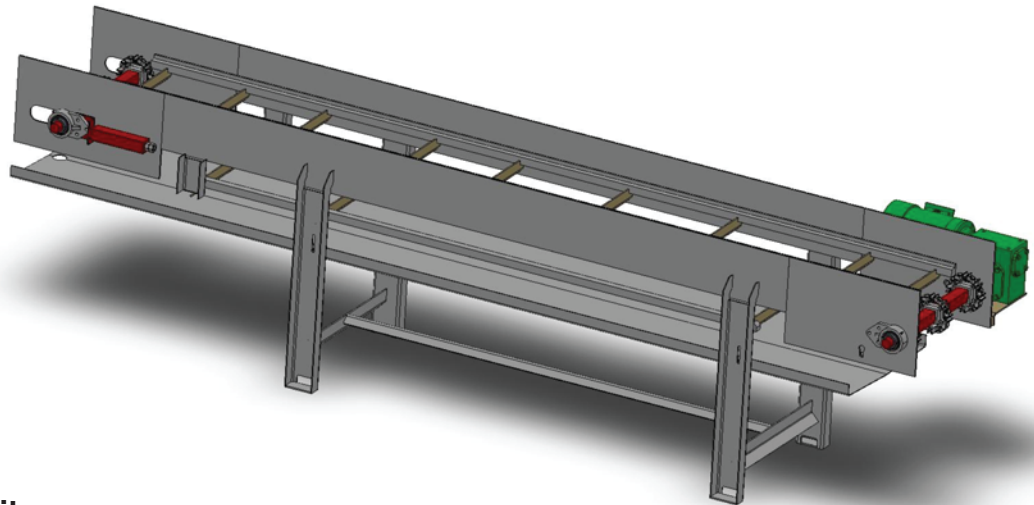
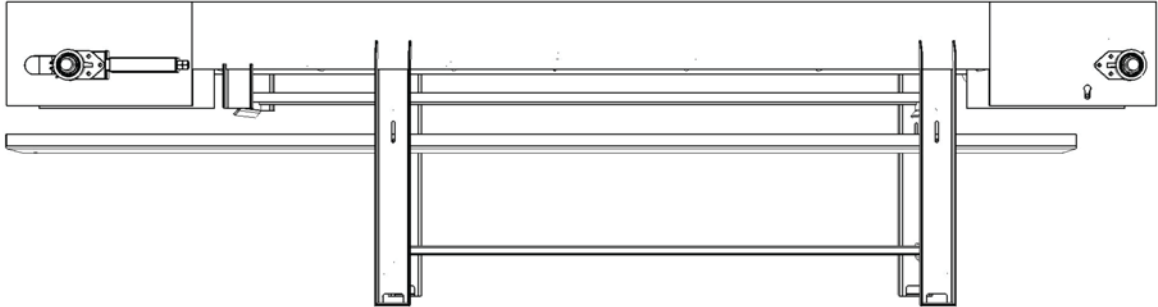


Conveyor

MODEL: EIS-FBPC-10.18



A Member of The Vincit Group



www.vincitgroup.com
saleseis@vincitgroup.com

FEATURES:

- 3/16" SS flat bar sides
- Formed stainless steel angle/channel construction
- 12" adjustable legs
- Bearing covers for safety
- Sanitary design & construction
- Glass bead finish

OPTIONS:

- Stainless steel spray belt washer
- Stainless steel removable drip pan
- Discharge chutes/bullet nose transfers
- PLC integration & controls

SPECIFICATIONS:

- Dimensions: designed per customer requirements
- Electrical: 230/460 3-phase 60-amp/hydraulic 1000 PSI
- Fixed or variable speeds



A Member of The Vincit Group

412 GEORGIA AVE. STE 300 • CHATTANOOGA, TN 37403 • 1-888-484-6248 FAX 423-702-3246