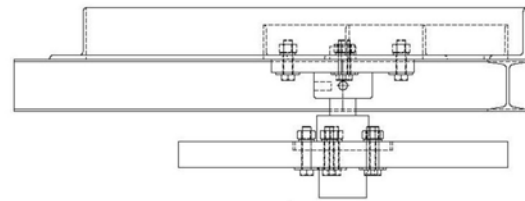
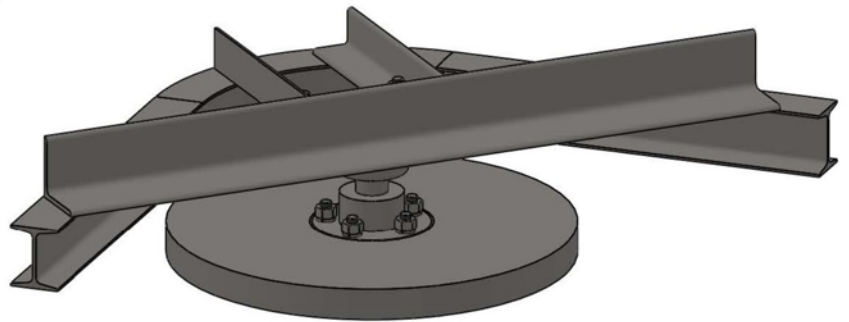
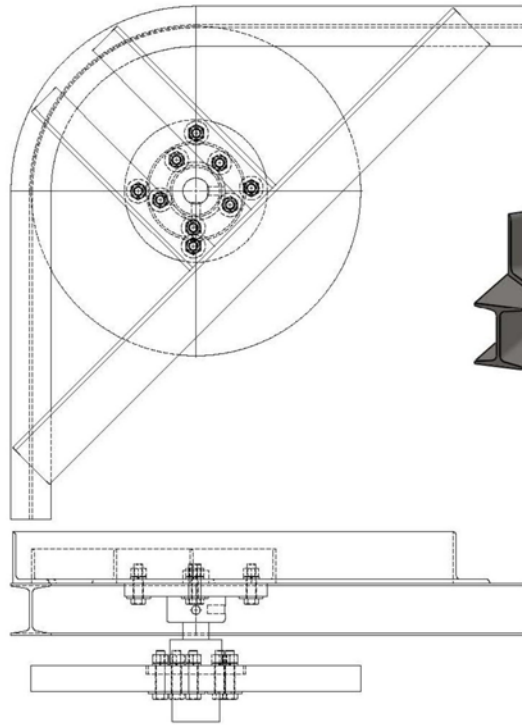


90 TRACK TURNS

MODEL: EIS-348-90-19



A Member of The Vincit Group



www.vincitgroup.com

saleseis@vincitgroup.com

FEATURES:

- Heavy Duty Construction
- Custom Machine turn wheel
- 6" or 8" Centers

OPTIONS:

- 348 GALVANIZED TRACK
- 348 STAINLESS STEEL TRACK
- GALVANIZED T-RAIL
- STAINLESS STEEL T-RAIL

SPECIFICATIONS:

- Dimensions: 19" OR 24"



A Member of The Vincit Group

412 GEORGIA AVE. STE 300 • CHATTANOOGA, TN 37403 • 1-888-484-6248 FAX 423-702-3246